



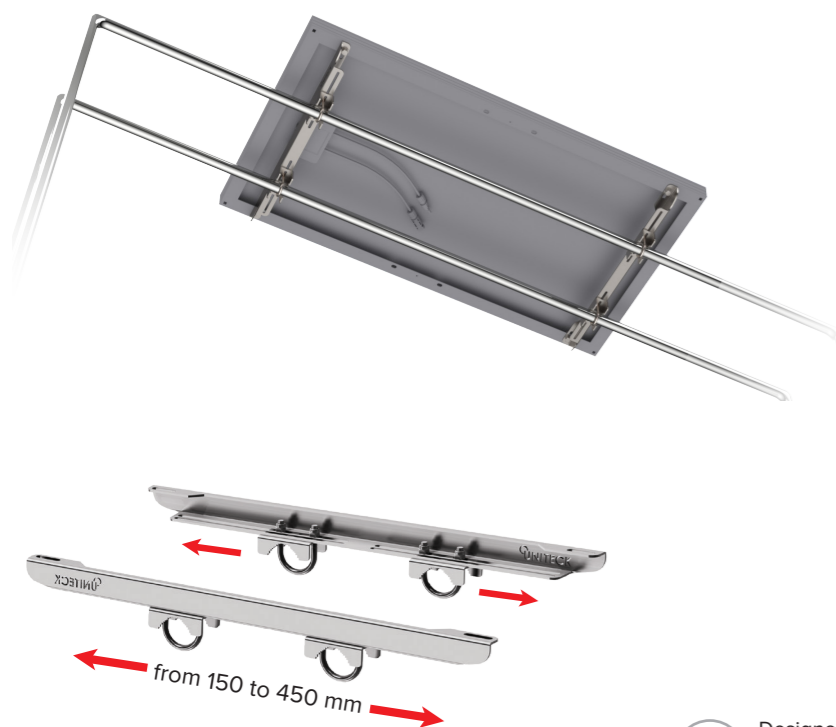
Mounting Brackets - UNIFIX WP

BOATING

FIXED BRACKETS FOR ARCH

The UNIFIX WP range of brackets is ideal to fix your rigid solar panels on your arch.

Made of polished 316L stainless steel, UNIFIX WP is robust and totally protected against corrosion.



Designed, made in France

UNIFIX 100 WP
for Unisun 50.12M/ 50.24M/ 80.12M/
100.12M/ 100.24M/ 120.12BC
Ref 0859

UNIFIX 150 WP
for Unisun 150.12M/ 150.24M/
150.12BC/ 200.12BC
Ref 0514

UNIFIX 200 WP
for Unisun 200.24M
Ref 1450

UNIFIX 300 WP
for Unisun 300.12M
Ref 2136

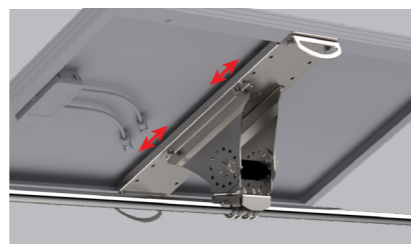
UNITECK

- Adaptable on all arches from Ø 20 to 45 mm
- Corrosion resistant marine stainless steel
- Easy to install



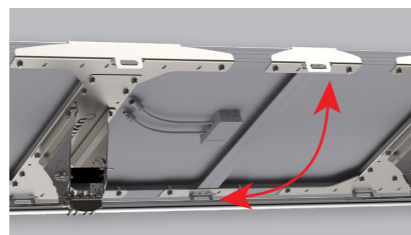
MONO-BAR FIXATION

To maximize space at board, the reclinable arch mounting are equipped with a mono-bar assembly.



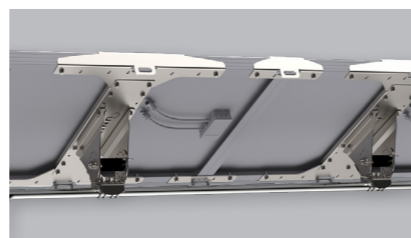
MULTI-POSITION

According to your arch configuration or your wishes, your panels can be positioned either centered or off-centered.



INCLINATION

Easy inclination system thanks to adjusting rings optimize your electrical performances depending on the season and the geographical area.



MULTI-PANEL

In double-panel, with UNIFIX 200.1 WP and UNIFIX 300.1 WP offer a larger electrical production area for more self-sufficiency.



Mounting Brackets - UNIFIX WPB

BOATING

TILTABLE BRACKETS FOR BALCONY AND ARCH MOUNTING

The UNIFIX WP RECLINABLE mounting brackets are ideal to fix your rigid solar panels on your arch.

Made of SAE 316L polished stainless steel, UNIFIX WPB RECLINABLE is robust and entirely protected against corrosion. Its universal titling system allows it to be fixed on all arches : double or single bar, bimini arch...(diam 25 to 45 mm).

Thanks to the adjustable inclination of universal fixation system (-60°/+60°), UNIFIX WP RECLINABLE increases your production over 30% against a laying down installation.

The panel can be positioned either centered or off-centered according to your wishes or your arch configuration.

UNITECK

- Adaptable on all arches from Ø 20 to 45 mm
- Corrosion resistant marine stainless steel
- Easy to install
- Reclinable from 0 to 90°

Designed, made in France

UNIFIX 100.1 WPB
for Unisun 50.12M/ 50.24M/ 55.12BC/ 80.12M/ 100.12M/
100.24M/ 120.12BC
Ref 2792

UNIFIX 150.1 WPB
for Unisun 150.12M/ 150.24M/ 150.12BC/ 200.12BC
Ref 2808

UNIFIX 200.1 WPB
for Unisun 50.12M (x2)/ 50.24M (x2)/ 55.12BC (x2)/ 80.12M (x2)/
100.12M (x2)/ 100.24M (x2)/ 120.12BC (x2)
Ref 2815

UNIFIX 300.1 WPB
for Unisun 150.12M (x2)/ 150.12BC (x2)
Ref 2822

